

# Advanced Exergy and Thermo-economic Analysis of the Supercritical Carbon Dioxide Recompression Cycle; A Comparative Study

M. Fallah<sup>1\*</sup>, Z. Mohammadi<sup>2</sup>, S.M.S. Mahmoudi<sup>2</sup>

<sup>1</sup> Department of Mechanical Engineering, Faculty of Engineering, Azarbaijan Shahid Madani University, Tabriz, Iran

<sup>2</sup> Department of Mechanical Engineering, Tabriz University, Tabriz, Iran

## ABSTRACT

In this paper, the supercritical carbon dioxide cycle is re-examined and compared from the perspective of advanced and thermo-economic exergy analysis to identify real potentials and prioritize the improvement of cycle components. In advanced exergy analysis, in addition to calculating the total exogenous exergy destruction for the k component, the contribution and effect of each of the other components and their combination in causing this inefficiency have also been identified. In thermo-economic analysis of the system, the unit cost of the product, the cost of investment and the cost of destroying the exergy for the components of the system are calculated. Improvements based on advanced exergy analysis are assigned to high temperature recuperator, turbine, compressor 1, preheater, low temperature recuperator, compressor 2 and reactor, respectively. Also, based on thermo-economic analysis, improving the turbine and reactor is not economically justified. However, the results show that even by abandoning the improvement of these two components, due to their high economic cost and by improving other components of the cycle based on the prioritization of advanced exergy analysis, it is possible to increase the efficiency of the exergy cycle from 4/29/47. There is 63% to 47.4% and cycle energy efficiency from 34.15% to 45.84%.

## KEYWORDS

Thermo-economic, endogenous exergy destruction, exogenous exergy destruction, avoidable exergy destruction, unavoidable exergy destruction

## 1. Introduction

In recent years, researchers have focused on the concept of exergy in the analysis of energy conversion systems. Because exergy analysis determines the main sources of system efficiency loss. Despite the high significance of the exergy perspective, conventional exergy analysis is not able to determine the amount of interaction between system components and also determining the avoidable part of exergy destruction, which this lack of information fulfill by the advanced exergy analysis [1-6].

Nowadays, the  $\text{SCO}_2$  cycle has attracted a great deal of attention due to the favorable properties of its operating fluid at the critical point. Feher [7] provided valuable information about the properties and applications of the supercritical carbon dioxide cycle. Akbary et al. [8] optimized the combined  $\text{SCO}_2$  recompression Brayton/Organic Rankine cycle. The conventional and advanced exergy analysis of  $\text{SCO}_2$  cycle carried out by Mohammadi et al. [9].

The  $\text{SCO}_2$  recompression cycle has not been studied simultaneously from the view point of economic and

---

<sup>1</sup> Supercritical Carbon Dioxide

advanced exergy analysis. Advanced Exergy Analysis provides more accurate information on the impact of system components on each other and the actual potential for cycle improvement. Comparing the results of the simultaneous analysis of thermodynamic systems from the view point of economic and advanced exergy analysis, provides significant assistance in selecting efficient components of the system in order to minimize economic costs and exergy destruction.

## 2. Methodology

The mass, energy and exergy balances for the system components as control volumes can be written as:

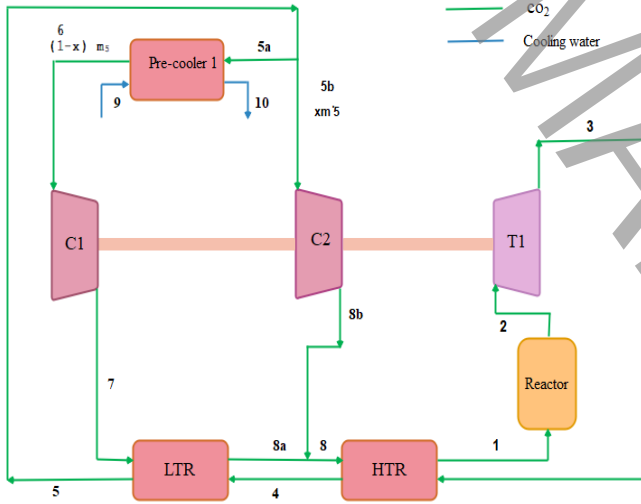
$$\sum \dot{m}_i = \sum \dot{m}_e \quad (1)$$

$$\dot{Q} + \sum \dot{m}_i h_i = \sum \dot{m}_e h_e + W \quad (2)$$

$$\dot{E}_Q + \sum \dot{m}_i e_i = \sum \dot{m}_e e_e + W + \dot{E}_D \quad (3)$$

In the present work, because of the assumptions, a unique working fluid and also lack of chemical reaction only physical exergy, expressed as follows, is considered:

$$e_{ph} = (h - T_0 s) - (h_0 - T_0 s_0) \quad (4)$$



**Figure 1. Schematic diagram for the S-CO<sub>2</sub> recompression cycle.**

the exergy destruction in the kth component can be split into endogenous/exogenous and avoidable/unavoidable parts:

$$\dot{E}_{D,k} = \dot{E}_{D,k}^{EN} + \dot{E}_{D,k}^{EX} \quad (5)$$

$$\dot{E}_{D,k} = \dot{E}_{D,k}^{AV} + \dot{E}_{D,k}^{UN} \quad (6)$$

The endogenous and exogenous exergy destruction rates can also be split into avoidable and unavoidable parts.

Similarly, the unavoidable and avoidable exergy destruction rates can be divided into endogenous and exogenous parts:

$$\dot{E}_{D,k}^{AV} = \dot{E}_{D,k}^{EX,AV} + \dot{E}_{D,k}^{EN,AV} \quad (5)$$

$$\dot{E}_{D,k}^{UN} = \dot{E}_{D,k}^{EX,UN} + \dot{E}_{D,k}^{EN,UN} \quad (6)$$

$$\dot{E}_{D,k}^{EN} = \dot{E}_{D,k}^{EN,AV} + \dot{E}_{D,k}^{EN,UN} \quad (7)$$

$$\dot{E}_{D,k}^{EX} = \dot{E}_{D,k}^{EX,AV} + \dot{E}_{D,k}^{EX,UN} \quad (8)$$

The exogenous value can also be split in order to estimate the effect of a given component on the others [10]:

$$\dot{E}_{D,k}^{EX} = \dot{E}_{D,k}^{EX} - \sum_{r=1, r \neq k}^{n-1} \dot{E}_{D,k}^{EX,r} \quad (9)$$

Cost balance for each system component is required for Exergoeconomic analysis [11].

$$\sum \dot{C}_{e,k} + \sum \dot{C}_{w,k} = \sum \dot{C}_{i,k} + \sum \dot{C}_{q,k} + \dot{Z}_k \quad (10)$$

The exergoeconomic factor is expressed as follows [11]:

$$f_k = \frac{\dot{Z}_k}{\dot{Z}_k + \dot{C}_{D,k}} \quad (11)$$

## 3. Results and Discussion

Advanced exergy analysis, by dividing the exergy destruction into the endogenous and exogenous parts, the effect of different components of the cycle on each other is determined. Also, by dividing the exergy destruction into the avoidable and unavoidable parts, a part of the exergy destruction that can be decrease by improving the system is determined. The conventional exergy analysis suggests this order as: the reactor, the pre-cooler, the LTR<sup>2</sup>, the HTR<sup>3</sup> and the turbine, while the advanced exergy analysis recommends the priority as the HTR, the turbine, and the main compressor, followed by the HTR, turbine, compressor 1, pre-cooler, LTR, compressor 2 and reactor, respectively. Figure 2 shows the priority of cycle improvement based on advanced exergy analysis.

The results of thermoeconomic analysis for each component of the S-CO<sub>2</sub> cycle are evaluated. The total cost of the product unit for this cycle is 10.35 (\$ / h) The highest cost of exergy destruction among the cycle components is for pre-cooler, followed by the reactor,

<sup>2</sup> low temperature recuperator

<sup>3</sup> High temperature recuperator

LTR, HTR, turbine, compressor 1 and compressor 2, respectively. Also, the highest investment costs are related to the reactor, turbine, compressor 1, compressor 2, LTR and HTR, respectively. The Figure 3 shows the diagram of the exorcoeconomic factor for different components of the SCO<sub>2</sub> cycle. As a result, the exogenous factor is greater for the turbine and reactor. Therefore, by choosing these two components with lower technology, the cycle investment cost can be reduced.

As a result, regardless of the improvement of the turbine and reactor, due to the high economic cost, and according to the priority of improvement of other components of the cycle based on the results of advanced exergy analysis, the total exergy of the cycle decreases 27.2% and cycle efficiency increases 26.6%

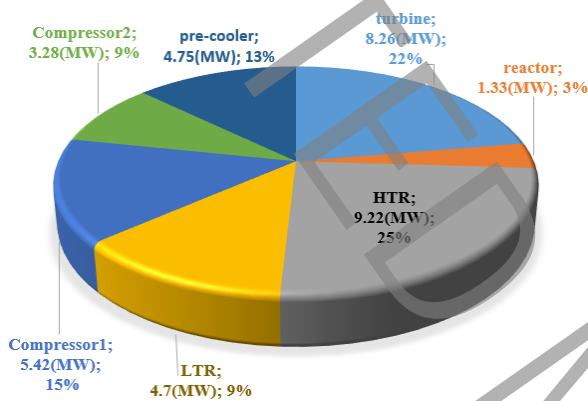


Figure 2. The diagram of avoidable endogenous exergy destruction part for different components of the SCO<sub>2</sub> cycle.

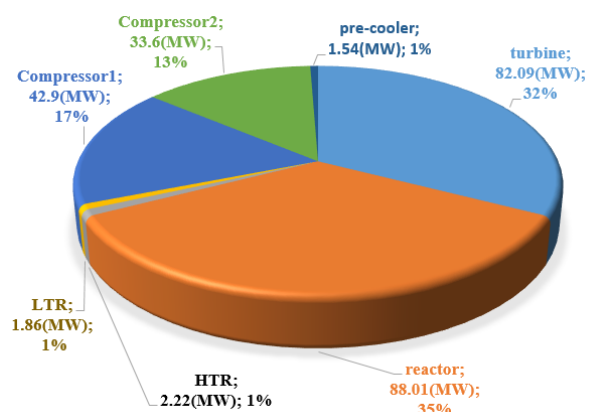


Figure 3. The diagram of the exorcoeconomic factor for different components of the SCO<sub>2</sub> cycle.

#### 4. Conclusions

The advanced exergy analysis recommends the different order of priority improvement from conventional exergy analysis.

The results of thermoeconomic analysis show that investing to improve the turbine and reactor is not economically justified. However, from the view point of the advanced exergy analysis, the potential of reducing the exergy destruction in turbine is high, and investing in this component improves performance. Even if the improvement of these two components is neglected due to their high economic cost and improvement of other components of the cycle is performed based on priority of advanced exergy analysis, the cycle efficiency increases by 26.6%.

#### 5. References

- [1] M. Fallah, S. Mahmoudi, M. Yari, Advanced exergy analysis for an anode gas recirculation solid oxide fuel cell, *Energy*, 141 (2017) 1097-1112.
- [2] M. Fallah, S.M.S. Mahmoudi, M. Yari, A comparative advanced exergy analysis for a solid oxide fuel cell using the engineering and modified hybrid methods, *Energy conversion and management*, 168 (2018) 576-587.
- [3] M. Fallah, S.M.S. Mahmoudi, M. Yari, R.A. Ghiasi, Advanced exergy analysis of the Kalina cycle applied for low temperature enhanced geothermal system, *Energy conversion and management*, 108 (2016) 190-201.
- [4] M. Fallah, H. Siyahi, R.A. Ghiasi, S. Mahmoudi, M. Yari, M. Rosen, Comparison of different gas turbine cycles and advanced exergy analysis of the most effective, *Energy*, 116 (2016) 701-715.
- [5] S. Kelly, G. Tsatsaronis, T. Morosuk, Advanced exergetic analysis: Approaches for splitting the exergy destruction into endogenous and exogenous parts, *Energy*, 34(3) (2009) 384-391.
- [6] Y. Wang, Y. Liu, X. Liu, W. Zhang, P. Cui, M. Yu, Z. Liu, Z. Zhu, S. Yang, Advanced exergy and exergoeconomic analyses of a cascade absorption heat transformer for the recovery of low grade waste heat, *Energy Conversion and Management*, 205 (2020) 112392.
- [7] E.G. Feher, The supercritical thermodynamic power cycle, *Energy conversion*, 8(2) (1968) 85-90.
- [8] A.D. Akbari, S.M. Mahmoudi, Thermoeconomic analysis & optimization of the combined supercritical CO<sub>2</sub> (carbon dioxide) recompression Brayton/organic Rankine cycle, *Energy*, 78 (2014) 501-512.
- [9] Z. Mohammadi, M. Fallah, S.S. Mahmoudi, Advanced exergy analysis of recompression supercritical CO<sub>2</sub> cycle, *Energy*, 178 (2019) 631-643.
- [10] O. Balli, Advanced exergy analyses of an aircraft turboprop engine (TPE), *Energy*, 124 (2017) 599-612.

[11] A. Bejan, G. Tsatsaronis, M.J. Moran, Thermal design and optimization, John Wiley & Sons, 1995.

↑ please level both columns of the last page as far as possible. ↑

ACCEPTED MANUSCRIPT